

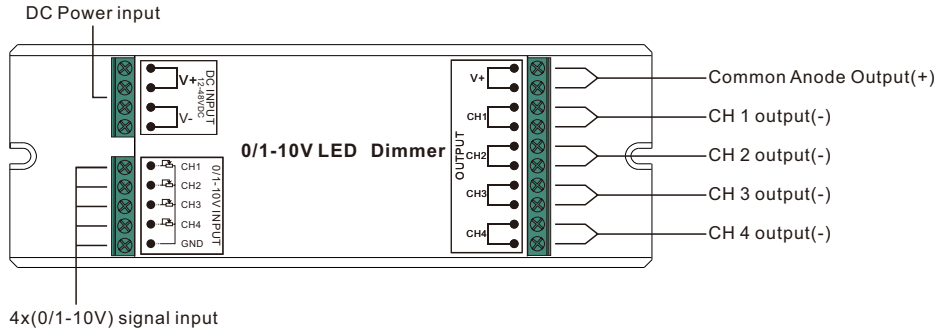
0/1-10V LED Dimmer

70080004



Important: Read All Instructions Prior to Installation

Function introduction



Product Data

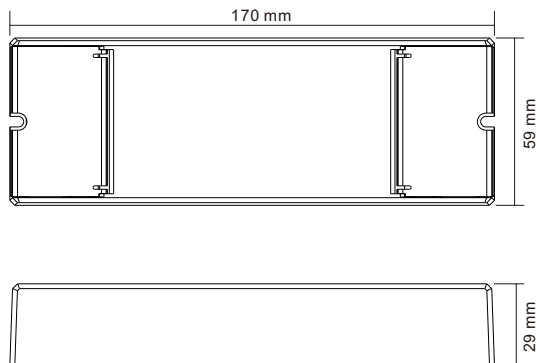
Input Voltage	Output Current	Output Power	Connector Current Rating	Wire Size	Remarks	Size(LxWxH)
12-48VDC	4x8A@12-36VDC 4x4A@48VDC	4x(96-288)W@12-36VDC 4x192W@48VDC	Max. 20A	0.05-3.3mm ² (12-30AWG)	Constant voltage	170x59x29mm

- With 4 Channels 0/1-10V signal Input, 4 channels PWM Output
- Analog dim driver, receive standard 0/1-10V dim signal input
- 0-100% dimming range via logarithmic characteristic , perfect for human's vision
- 256 levels of Grey scales, smoothly without any flash
- To work with power repeater to expand output unlimitedly.
- Can coordinate with 0/1-10V regulator or 0/1-10V dimmer to do analog dimming ,smooth dimming curve, be in direct proportion to voltage curve of regular.
- Waterproof grade: IP20

Safety & Warnings

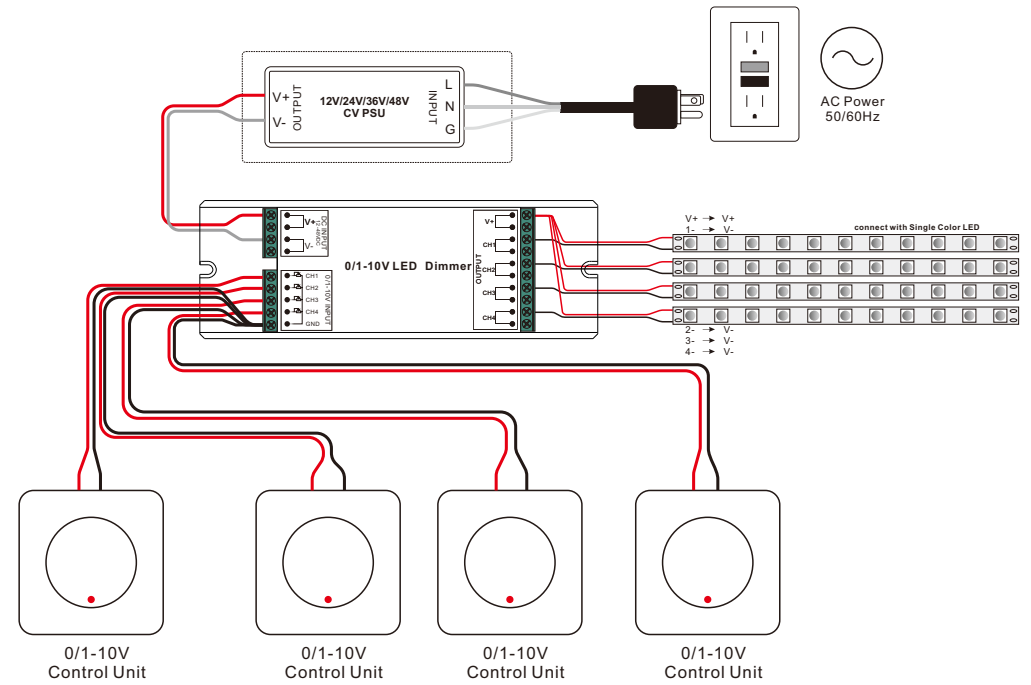
- DO NOT install with power applied to device.
- DO NOT expose the device to moisture.

Product Dimension



Wiring Diagram

1) When total load of each LED controller is not over 20A



2) When total load of each LED controller is over 20A

